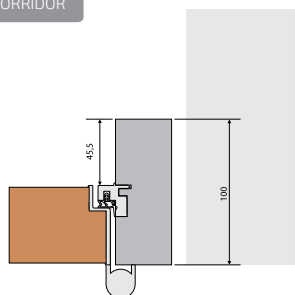


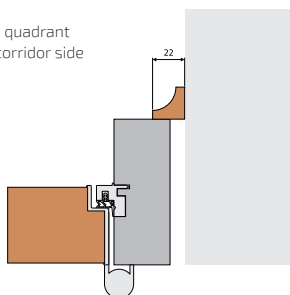
BASIC

OPTIONS

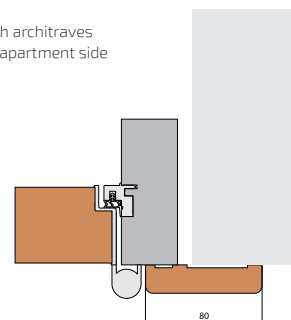
CORRIDOR



with quadrant
on corridor side



with architraves
on apartment side

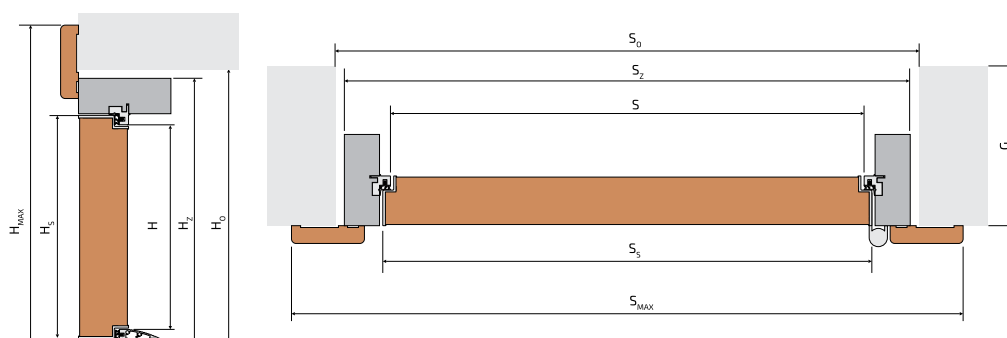


APARTMENT

FINISHING

| | CLASSIC | 3D WOOD | ULTRA WOOD | DIY |
|---------------|---------|---------|------------|-----|
| DOOR LEAF | ✓ | ✓ | ○ | ○ |
| FRAME | ✓ | ○ | ○ | ○ |
| QUARTER ROUND | GREY | ○ | ○ | ○ |
| ARCHITRAVES | ✓ | ✓ | ○ | ○ |

INSTALLATION MEASUREMENTS



| | DOOR LEAF DIMENSION [mm] | AN OPTIMAL WALL OPENING DIMENSION [mm] | DIMENSION OF THE CLEAR OPENING [mm] | FRAME EXTERNAL DIMENSION [mm] | FRAME EXTERNAL DIMENSIONS WITH ARCHITRAVES [mm] |
|--------------------|--------------------------|--|-------------------------------------|-------------------------------|---|
| DOOR WIDTH | $S_s = S_0 - 110$ | $S_0 (+/- 5mm)$ | $S = S_s - 127$ | $S_z = S_0 - 25$ | $S_{max} = S_0 + 90$ |
| „75“ | 820 ¹ | 930 | 803 | 905 | 1020 |
| „80“ | 870 | 980 | 853 | 955 | 1070 |
| „90“ | 970 | 1080 | 953 | 1055 | 1170 |
| „100“ | 1070 | 1180 | 1053 | 1155 | 1270 |
| „110“ | 1170 | 1280 | 1153 | 1255 | 1370 |
| | (max. 1170mm) | $S_0 = S_s + 110$ | $S = S_s - 17$ | $S_z = S_s + 85$ | $S_{max} = S_s + 200$ |
| DOOR HEIGHT | $H_s = H_0 - 66$ | $H_0 (+/- 3mm)$ | $H = H_0 - 81$ | $H_z = H_0 - 13$ | $H_{max} = H_0 + 45,5$ |
| STD | 2020 | 2086 | 2005 | 2073 | 2131,5 |
| ADDITIONAL SIZES | 1900 ¹ | 1966 | 1885 | 1953 | 2011,5 |
| | 1950 | 2016 | 1935 | 2003 | 2061,5 |
| | 2100 | 2166 | 2085 | 2153 | 2211,5 |
| | 2150 | 2216 | 2135 | 2203 | 2261,5 |
| | 2200 | 2266 | 2185 | 2253 | 2311,5 |
| | 2250 | 2316 | 2235 | 2303 | 2361,5 |
| | 2300 | 2366 | 2285 | 2353 | 2411,5 |
| | 2400 | 2466 | 2385 | 2453 | 2511,5 |
| 2500 | 2566 | 2485 | 2553 | 2611,5 | |
| | (max. 2500mm) | $H_0 = H_s + 66$ | $H = H_s - 15$ | $H_z = H_s + 53$ | $H_{max} = H_s + 111,5$ |

| WALL THICKNESS [mm] |
|----------------------|
| G |
| min. 125 |
| (including quadrant) |

¹ doesn't refer to BASIC FIRE version