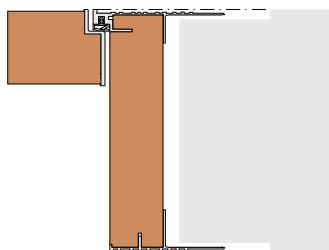


# DISCRET VERTE

## OPTIONS

CORRIDOR

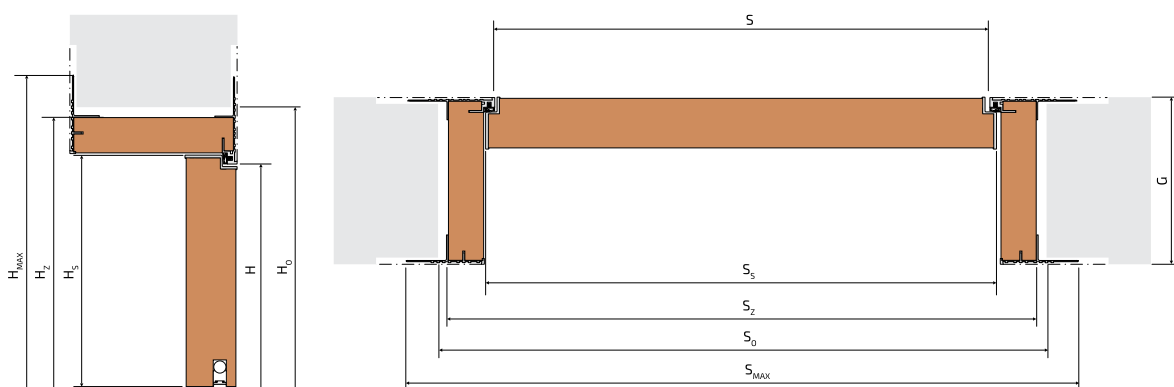


APARTMENT

## FINISHING

	CLASSIC	3D WOOD	ULTRA WOOD	DIY
DOOR LEAF	✓	✓	✓	✓
FRAME	○	○	○	✓

## INSTALLATION MEASUREMENTS



	DOOR LEAF DIMENSION [mm]	AN OPTIMAL WALL OPENING DIMENSION [mm]	DIMENSION OF THE CLEAR OPENING [mm]	FRAME EXTERNAL DIMENSION [mm]	FRAME EXTERNAL DIMENSION WITH ALUMINIUM PROFILES [mm]	WALL THICKNESS [mm]
<b>DOOR WIDTH</b>	$S_2 = S_0 - 110$	$S_0 (+/-5mm)$	$S = S_0 - 128,5$	$S_2 = S_0 - 25$	$S_{max} = S_0 + 90$	G
"80"	870	981,5	853	956,5	1041	160±520
"90"	970	1081,5	953	1056,5	1141	5 mm increments
"100"	1070	1181,5	1053	1156,5	1241	
"110"	1170	1281,5	1153	1256,5	1341	
	(max. 1170mm)	$S_0 = S_2 + 111,5$	$S = S_2 - 17$	$S_2 = S_0 + 86,5$	$S_{max} = S_0 + 171$	
<b>DOOR HEIGHT</b>	$H_3 = H_0 - 66$	$H_0 (+/-3mm)$	$H = H_0 - 64$	$H_2 = H_0 - 12,5$	$H_{max} = H_0 + 45,5$	
STD	2020	2082	2018	2069,5	2112	
ADDITIONAL SIZES	1950	2012	1948	1999,5	2042	
	2100	2162	2098	2149,5	2192	
	2150	2212	2148	2199,5	2242	
	2200	2262	2198	2249,5	2292	
	2250	2312	2248	2299,5	2342	
	2300	2362	2298	2349,5	2392	
	2400	2462	2398	2449,5	2492	
	2500	2562	2498	2549,5	2592	
	(max. 2500mm)	$H_0 = H_3 + 62$	$H = H_3 - 2$	$H_2 = H_3 + 49,5$	$H_{max} = H_3 + 92$	