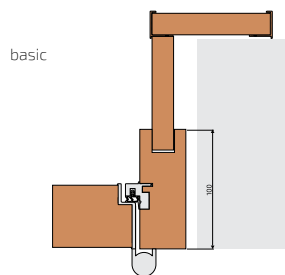


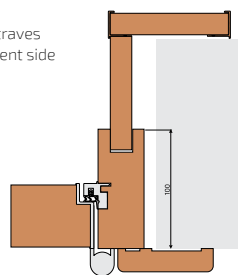
TREND

OPTIONS

CORRIDOR



with architraves
on apartment side



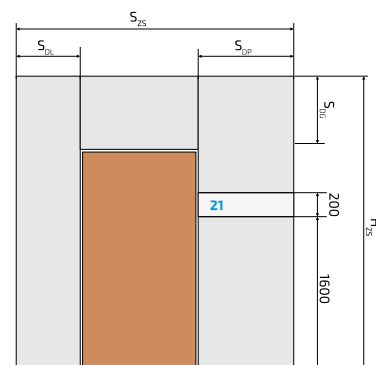
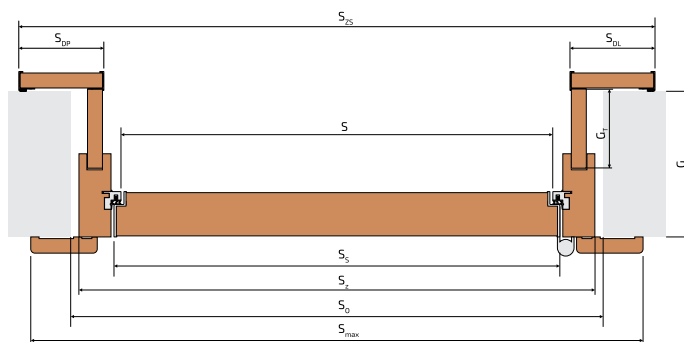
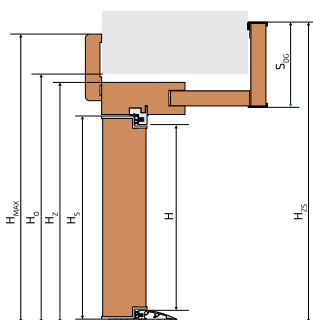
APARTMENT

FINISHING

	CLASSIC	3D WOOD	ULTRA WOOD	DIY
DOOR LEAF	✓	✓	○	○
FRAME	✓	✓	○	○
GLASS PANEL (OPTIONAL)*	Glass thickness 4 mm with the print of apartment number, background: BLACK, number: WHITE			

* height of GLASS PANEL 200 mm, minimum width 200 mm (the width of GLASS PANEL is the same as ordered architraves panel on corridor site)

INSTALLATION MEASUREMENTS



	DOOR LEAF DIMENSION [mm]	AN OPTIMAL WALL OPENING DIMENSION [mm]	DIMENSION OF THE CLEAR OPENING [mm]	FRAME EXTRENAL DIMENSION [mm]	FRAME EXTERNAL DIMENSIONS WITH ARCHITRAVES [mm]	
DOOR WIDTH	$S_s = S_o - 110$	$S_o (+/- 5 \text{ mm})$	$S = S_o - 127$	$S_2 = S_o - 25$	$S_{max} = S_o + 90$	$S_{2s} = S_s + S_{dp} + S_{dl} - 80$
„80“	870	980	853	955	1070	1060 ÷ 3300
„90“	970	1080	953	1055	1170	1160 ÷ 3400
„100“	1070	1180	1053	1155	1270	1260 ÷ 3500
„110“	1170	1280	1153	1255	1370	1360 ÷ 3600
DOOR HEIGHT	(max. 1170 mm)	$S_o = S_s + 110$	$S = S_s - 17$	$S_2 = S_s + 85$	$S_{max} = S_s + 200$	$S_{2s} = S_s + S_{dp} + S_{dl} + 30$
STD	$H_s = H_o - 66$	$H_o (+/- 3 \text{ mm})$	$H = H_o - 81$	$H_2 = H_o - 13$	$H_{max} = H_o + 45,5$	$H_{2s} = H_s + S_{dp} + S_{dl} + 27$
ADDITIONAL SIZES	2020	2086	2005	2073	2131,5	2207 ÷ 2751,5
	1950	2016	1935	2003	2061,5	2137 ÷ 2731,5
	2100	2166	2085	2153	2211,5	2287 ÷ 2751,5
	2150	2216	2135	2203	2261,5	2337 ÷ 2751,5
	2200	2266	2185	2253	2311,5	2387 ÷ 2751,5
	2250	2316	2235	2303	2361,5	2437 ÷ 2751,5
	2300	2366	2285	2353	2411,5	2487 ÷ 2751,5
	2400	2466	2385	2453	2511,5	2587 ÷ 2751,5
2500	2566	2485	2553	2611,5	2687 ÷ 2751,5	
(max. 2500 mm)	$H_o = H_s + 66$	$H = H_s - 15$	$H_2 = H_s + 53$	$H_{max} = H_s + 111,5$	(max. 2751,5 mm) ¹	

ARCHITRAVES PANELS [mm]			WIDTH OF TUNEL BOARDS [mm]	WALL THICKNESS [mm]
S_{dp}	S_{dl}	S_{dl}	$G_i = G - 85$	G
80,	160,	200 ÷ 775 ²	195	140 ÷ 280
100 ÷ 1200 ²			300	281 ÷ 385
			500	386 ÷ 585

¹ for vertical architrave panels max height = 2750 mm
² 100mm increments